

VTX

TROY[®]

BARBELL & FITNESS

USA

By TROY BARBELL & FITNESS



TROY®

BARBELL & FITNESS

-40 YEARS IN FITNESS-

-LEADERS OF INNOVATION-

-36 PATENTS-

-QUALITY MANUFACTURING-

-HIGH GRADE MATERIALS-



TABLE OF CONTENTS

<i>TITLE PAGES</i>	<i>PAGE NUMBERS</i>
Logos	Page 1-3
Troy Ladder Bench	Page 4
Dumbbells & Storage	Page 5-9
Barbells & Storage	Page 10-12
Bars & Plates	Page 13-23
-Bumper Plates	Page 13-17
-Grip Plates	Page 18-20
-Bars	Page 13,18,22-23
Racks & Benches	Page 24-27
Kettlebell & Storage	Page 28-31
Accessories	Page 32-35
Warranties	Page 36-37

LASER ENGRAVING



SCREEN PRINTING



CUSTOM COLOR



CUSTOM LOGO OPTIONS AVAILABLE

TSD-UL
12-Sided Urethane Dumbbell



TSD-UTL
Troy Round Urethane Dumbbell



XD-UL
VTX Round Urethane Dumbbells



GO-VUL
Urethane Grip Plates



BPO-SBPL
Black Bumper Plates



GO-UL
Urethane Interlocking Plates



BPO-SBP2L
Black Bumper Plates (Dual Logo)



BCO-SBPL
Logo Competition Bumper



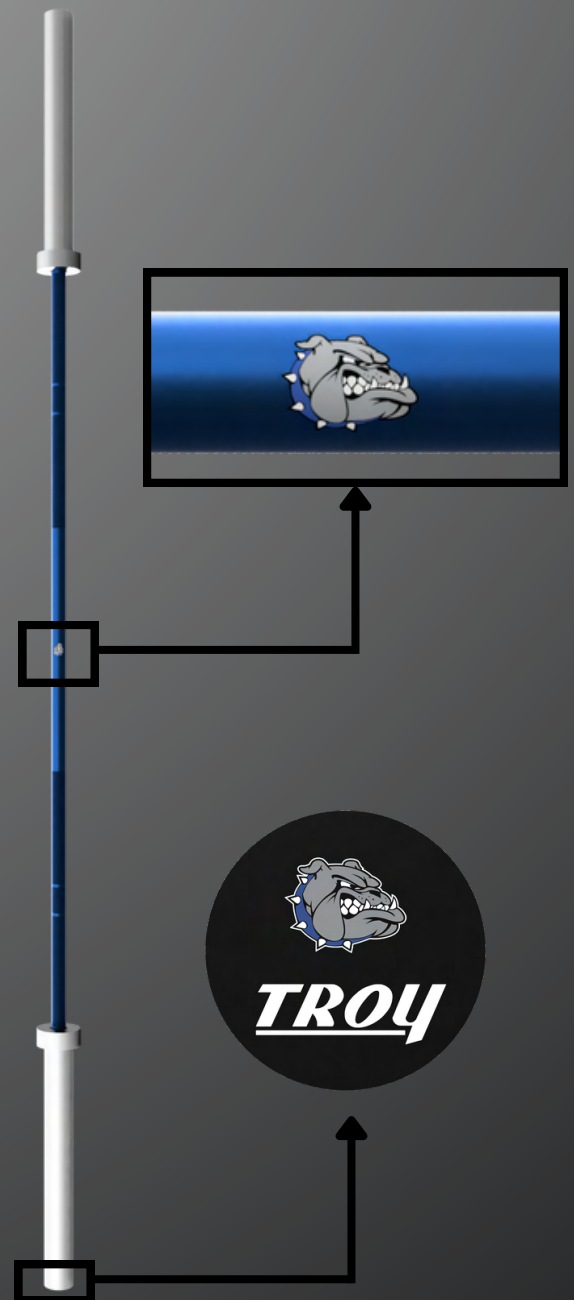
TSB-UL
Straight Urethane Bar



TSB-UL
Straight Urethane Bar



AOB-1500CL/AOB-1200CL
Men and Women's Cerakote Bar



NEW CUSTOM COLOR OPTIONS AVAILABLE

TSD-UL



PO-SBPL

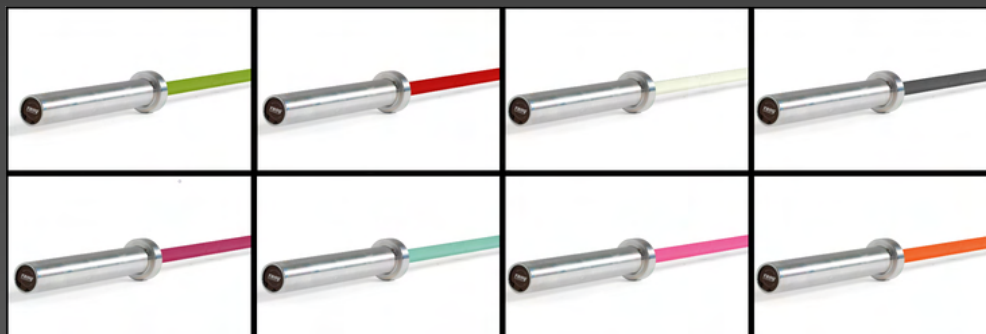


GO-UL



AOB-1500CL/AOB1200CL

Custom Color options include any of the H-Series Cerakote Coatings



*Custom Logos available with custom color options as well

*TSD-UL, PO-SBPL, & GO-UL are available in any pantone color

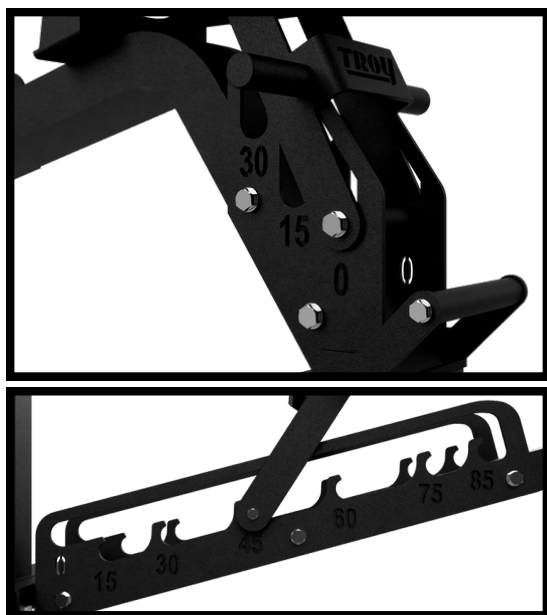
NEW PRODUCT!

Troy Barbell Ladder Bench

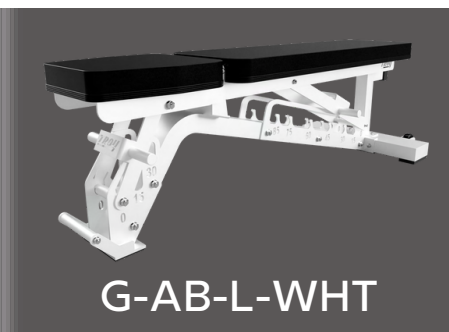
A powerhouse of strength and style for your fitness space

Key Features

- 1000lb Rating: Unmatched durability for intense workouts.
- Versatile Design: Adapt to various exercises with the ladder-style construction.
- Durable Build: Precision engineering for longevity and comfort.
- Stylish Matte Finish: Choose from Black, Red, or White frames to suit your aesthetic.
- Space-Saving: Compact design ideal for home and commercial gyms.
- Easy Maintenance: Robust materials for hassle-free cleaning.



G-AB-L-RED



G-AB-L-WHT



G-AB-L-BLK

Elevate your fitness with the Troy Barbell Ladder Bench – where strength meets sophistication. Choose your color, embrace the power, and redefine your workout routine.

DUMBBELLS & STORAGE



02



04



03

- 02 | *TSD-U* - Twelve-Sided Urethane Dumbbell
- 03 | *TSD-R* - Twelve-Sided Rubber Dumbbell
- 04 | *DR-10* - 10-Pair Dumbbell Rack

02 | **TSD-U - TWELVE-SIDED URETHANE DUMBBELL**

The TSD-U has a sleeve design that extends through the head of the dumbbell and is permanently welded, the structural integrity is unsurpassed.

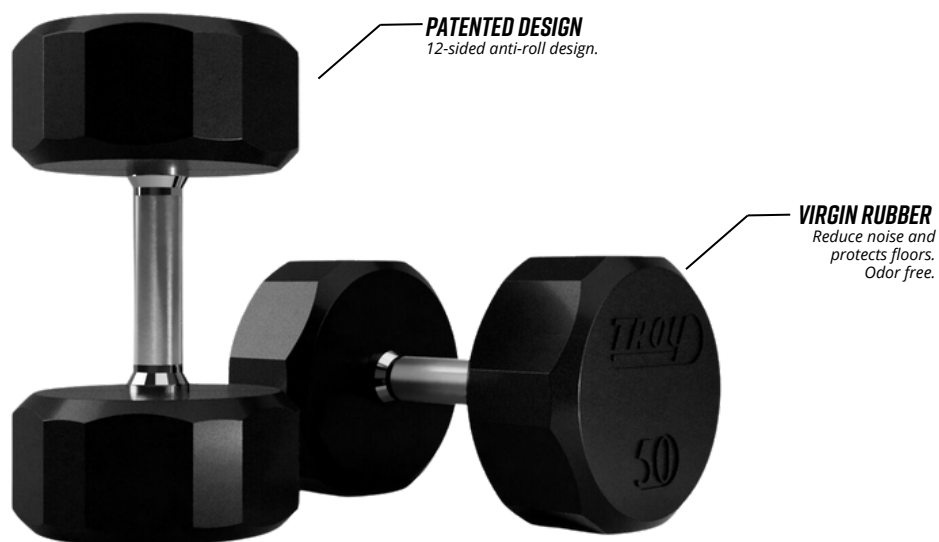
- 2% weight tolerance
- Largest size: 125 lbs.
- For use with DR-15, DR-10, GTDR-3, and T-DR racks



03 | TSD-R - TWELVE-SIDED RUBBER DUMBBELL

Precision machined, graduated steel handles are coated with a hard chrome finish to resist corrosion. Perfect for any workout setting-from the best health club to the home.

- 2% weight tolerance
- Largest size: 125 lbs.
- For use with DR-15, DR-10, GTDR-3, GVDR-13 (to 50lbs), GVDR-8 (to 25lbs) and T-DR racks



04 | DR-10 - 10-PAIR DUMBBELL RACK

- Scratch-resistant, powder-coated finish
- Durable plastic saddles help protect dumbbells and reduce noise.



05 | DR-15 - TROY 15 - PAIR DUMBBELL RACK

- 3.5mm thick steel tubes
- Weight capacity of 3,450lbs
- With scratch-resistant, powder-coated finish
- Durable plastic saddles help protect dumbbells and reduce noise



06 | TDR-3 - VTX HORIZONTAL DUMBBELL RACK

- Holds up to 23 pairs
- Constructed with 12-gauge heavy duty 2" x 2" tubing



07 | GTDR-3 - VTX 3-TIER DUMBBELL SHELF RACK

- Holds a 5-75 run of solid dumbbells (15 pairs)
- Powder-coated shelves
- 11-gauge steel frame for quick, easy assembly.



05 | DR-15 - 15-Pair Dumbbell Rack

06 | TDR-3 - VTX Horizontal Dumbbell Rack

07 | GTDR-3 - VTX 3-Tier Dumbbell Shelf Rack

08 | XD-U - VTX URETHANE DUMBBELL

- High grade TPU
- Round Head Design
- Proprietary bolt to head construction w/ finished endcap
- Available for screen printing client logo
- Largest size: 125 lbs
- For use with DR-15 and DR-10 racks



09 | SD-U - URETHANE HEX DUMBBELL

- Premium grade CPU
- 8-sided anti-roll design
- Welded head to handle construction
- 28 & 34 mm chrome contoured handles
- Largest size: 125 lbs
- For use with DR-15, DR-10, GTDR-3, GVDR-13 (to 50lbs), GVDR-8 (to 25lbs) and T-DR racks



10 | SD-R - RUBBER HEX DUMBBELL

- Premium grade rubber
- 8-sided anti-roll design
- Welded head to handle construction
- 28 & 34 mm chrome contoured handles
- Largest size: 100 lbs
- For use with DR-15, DR-10, GTDR-3, GVDR-13 (to 50lbs), GVDR-8 (to 25lbs) and T-DR racks



08 | XD-U - VTX Urethane Dumbbell

09 | SD-U - Urethane Hex Dumbbell

10 | SD-R - Rubber Hex Dumbbell

11 | BB-5 - Barbell Half Rack

BARBELLS & STORAGE



//

|/2

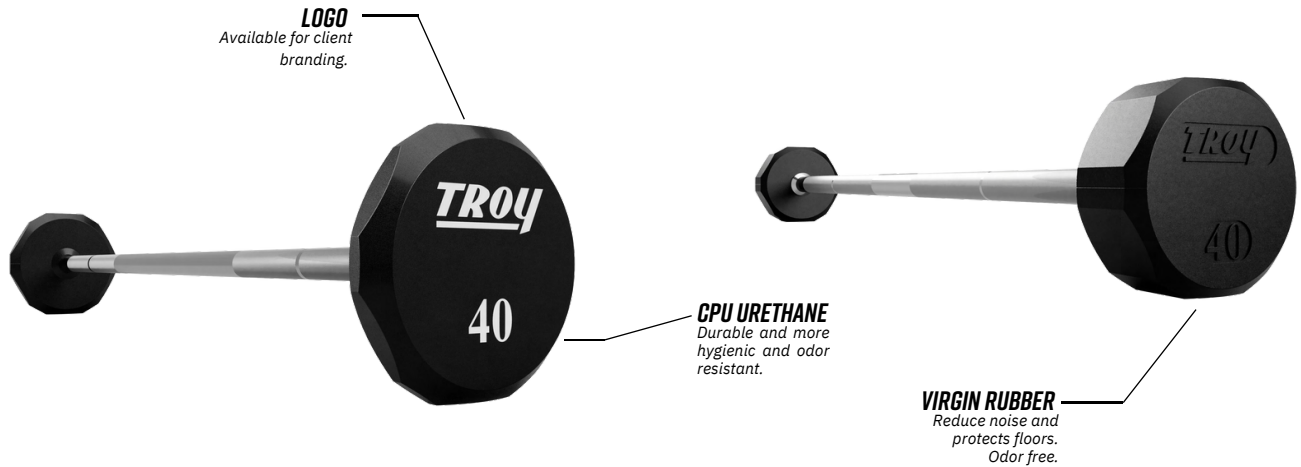


// **BB-5 - BARBELL HALF RACK**

The Troy Fitness Half Barbell rack is constructed using sturdy steel tubing with a wide stable base. Designed to be a compact storage solution, the rack keeps 5 Fixed Weight Barbells organized and safely stored within a small footprint. Urethane hooks extend along the front of the rack to minimize the impact on the bar knurling to protect equipment and add durability

12 | TSB-U/TSB-R - 12 SIDED STRAIGHT BARBELL

Our patented 12-sided Straight Barbell features a solid steel head encased in Urethane and Rubber that is securely attached to a hard chrome, steel bar.



13 | TZB-U/TZB-R - 12 SIDED EZ CURL BARBELL

Our patented 12-sided EZ Curl Barbell features a solid steel head encased in Urethane and Rubber that is securely attached to a hard chrome, steel bar.



14 | BB-10 - HORIZONTAL BARBELL RACK

Our redesigned Horizontal Barbell Rack is dual sided and can hold 10 fixed barbells or fixed curl bars. The chrome wear-guard adds to the striking look of this barbell rack.



12 | **TSB-U/TSB-R** - Straight Barbell

13 | **TZB-U/TZB-R** - EZ Curl Barbell

14 | **BB-10** - Horizontal Barbell rack

BARS & PLATES



- 15 | **AOB-1500T** - Blackwing Bar
- 16 | **BPO-SBP** - Black Premium Rubber Bumper Plate
- 17 | **PO-SBP** - Color Premium Rubber Bumper Plate

15 | **AOB-1500T - BLACKWING BAR**

The new Troy Blackwing bar is 100% manufactured in the USA. With a U.S. lab tested yield strength of 213,300 P.S.I., this bar is in a class by itself - so impressive, we put the Troy badge on it as the established benchmark for American made training/power bars. It can be put into any application without worry, and is virtually maintenance free. Perfect for use in a professional, college or high school weight room setting.



16 | **BPO-SBP - BLACK PREMIUM RUBBER BUMPER PLATE**

The Troy Black Premium Rubber Bumper Plates provide the perfect mix of performance with low bounce to protect gym flooring. Molded from the highest-grade rubber over a solid cast iron core and precision-milled steel hubs. Designed with raised weight numbers for easy identification. These plates are available in four colors for each weight.



LOGO
Available for client branding.



BUMPER PLATES

17 | PO-SBP - COLOR PREMIUM RUBBER BUMPER PLATE

The Color Premium Rubber Bumper Plate provides the perfect mix of performance with low bounce to protect gym flooring. Molded from the highest-grade virgin rubber over a solid cast iron core and precision-milled steel hubs. Designed with raised weight numbers for easy identification. These plates are available in four colors for each weight.

CRUMB RUBBER BUMPER PLATES

18 | GO-CBP - USA CRUMB RUBBER BUMPER PLATES

The USA Crumb Bumper Plate is designed for both aesthetic and function. You'll find the look fits the rugged functional training market while the design holds up to the highest volume of usage. The recycled rubber design allows for impact to be distributed well across the plate and promotes durability and longevity.

Plate Diameter: 17.716in (450mm)

Plate Width: 10 lbs. (Green) - 1.377in (35mm)

15 lbs. (Gray) - 1.653in (42mm)

25 lbs. (Yellow) - 2.362in (60mm)

35 lbs. (Blue) - 2.834in (72mm)

45 lbs. (Red) - 3.267in (83mm)



19| **BCO-SBP - BLACK COMPETITION BUMPER PLATE**

- Withstand 30,000 drops
- Solid steel core
- 50.3mm center hole provides a snug fit on the bar
- 2 year warranty
- Available in pounds: 25lbs, 35lbs, 45lbs & 55lbs.
- Accurate to within a 1% (+ or -) weight tolerance.
- Available for custom logo



ITEM	WIDTH
BCO-025SBP	32.5mm
BCO-035SBP	43mm
BCO-045SBP	54.5mm
BCO-055SBP	66.5mm

20| **CCO-SBP - COLOR COMPETITION BUMPER PLATE**

- Withstand 30,000 drops
- Solid steel core
- 50.3mm center hole provides a snug fit on the bar
- 2 year warranty
- Available in pounds: 25lbs, 35lbs, 45lbs & 55lbs.
- Accurate to within a 1% (+ or -) weight tolerance.



ITEM	WIDTH
CCO-025SBP	32.5mm
CCO-035SBP	43mm
CCO-045SBP	54.5mm
CCO-055SBP	66.5mm

21| **CO-SBP - COLOR COMPETITION BUMPER PLATE - KGS**

- Withstand 30,000 drops
- Solid steel core
- 50.3mm center hole provides a snug fit on the bar
- 2 year warranty
- Available in pounds: 10kgs, 15kgs, 20kgs, 25kgs
- Accurate to within a 1% (+ or -) weight tolerance.



ITEM	WIDTH
CO-010SBP	34mm
CO-015SBP	47mm
CO-020SBP	60mm
CO-025SBP	73mm

22 | **BO-SBP - SOLID RUBBER INTERLOCKING BUMPER PLATE**

- Patented Interlocking design
- Premium Rubber

ITEM	WIDTH
BO-010SBP	28mm
BO-025SBP	66mm
BO-035SBP	84mm
BO-045SBP	92mm



23 | **O-SBP - SOLID RUBBER BUMPER PLATE**

- Bright colors
- Steel insert
- 15 lbs available
- Quality rubber

ITEM	WIDTH
O-010SBP	25.5mm
O-025SBP	51mm
O-035SBP	60mm
O-045SBP	79mm



24 | **GBO-SBP - USA SOLID RUBBER BUMPER PLATE**

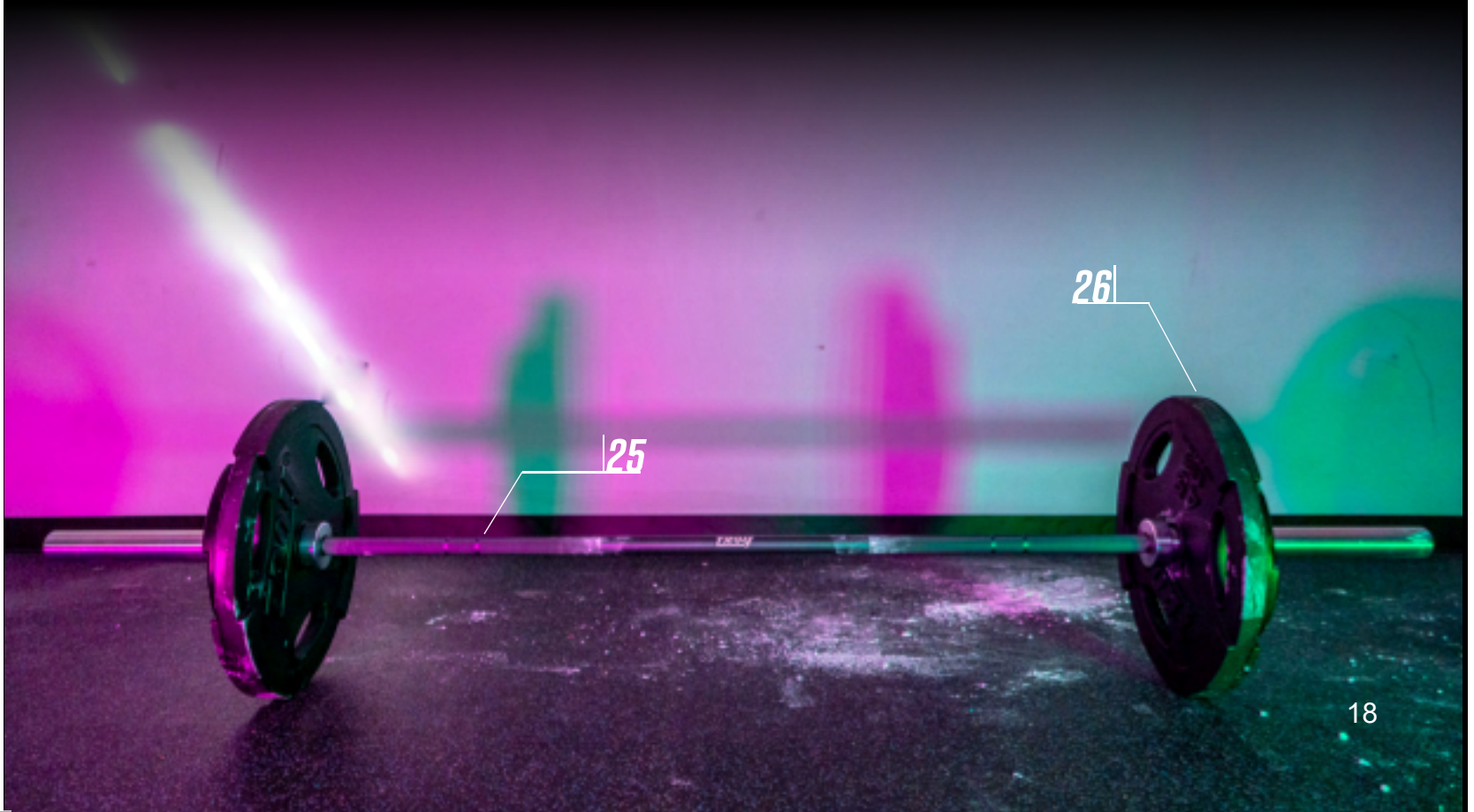
- 15 lbs available
- Steel insert
- Non-greasy

ITEM	WIDTH
GBO-010SBP	24mm
GBO-015SBP	30mm
GBO-025SBP	46mm
GBO-035SBP	60mm
GBO-045SBP	79mm



25 | AOB-1500C/AOB-1200C - MEN & WOMEN'S CERAKOTE BAR

The Troy Fitness Cerakote Olympic Bar delivers great performance and durability you can depend on. Bronze bushings, which provide a friction less spin, reduce wear and tear. The Cerakote coating prevents rust and maximizes the life of this bar. The custom color options also allow schools to show their pride with a variety of chip-free color options. These Olympic bars are designed and built for any Athletic or Commercial Facility.

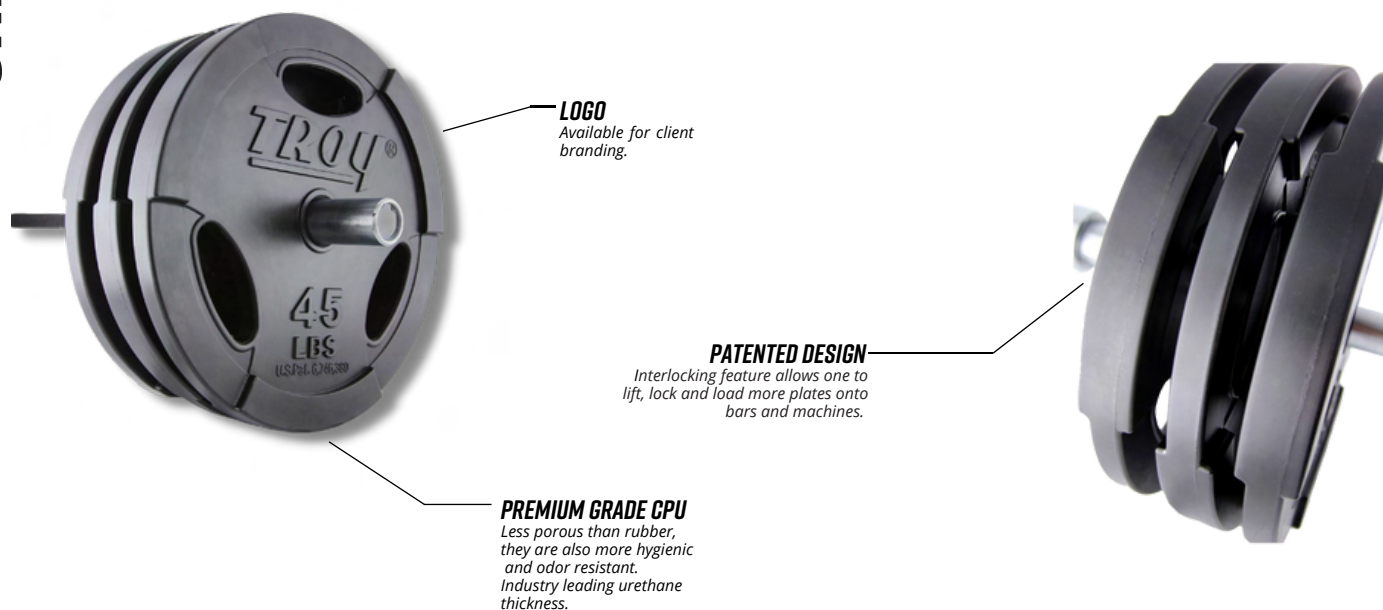


GRIP PLATES

26 | GO-U - INTERLOCKING URETHANE GRIP PLATES

Our Troy premium grade, “Quiet Iron® EZ-lift” grip plates set the standard for excellence with their unique design, exceptional quality and durability – so much so in fact, that we give them a 5 year warranty.

- 2% plus or minus of actual weight
- Tri-hole



27 | GO-R - INTERLOCKING RUBBER GRIP PLATES

Our Troy premium grade, “Quiet Iron® EZ-lift” grip plates set the standard for excellence with their unique design, exceptional quality and durability – so much so in fact, that we give them a 5 year warranty.

- 2% plus or minus of actual weight
- Tri-hole



25 AOB-1500C/AOB-1200C-	Cerakote Bar
26 GO-U-	Interlocking Urethane Grip Plate
27 GO-R-	Interlocking Rubber Grip Plate

28 | GO - TROY MACHINED GRIP PLATE

Our high-grade Machined Interlocking Grip Plate is made out of highest quality ASTM Grade 20 cast iron and is designed to be used in the heaviest situations. The interlocking feature allows the user to safely load more plates onto machines and bars to maximize workouts. This unique feature makes TROY plates easier to lift and load. Our Olympic GO plates are designed to maintain a 2% accuracy level, plus or minus.

- Premium grade ASTM cast iron
- Interlocking
- Hammertone gray finish
- 2% weight tolerance



PATENTED DESIGN

Interlocking feature allows one to lift, lock and load more plates onto bars and machines.

29 | GO-VU - VTX DUAL GRIP URETHANE PLATE

The new VTX urethane dual grip plate is the perfect solution for any light institutional setting. Using high grade urethane and a unique look the GO-VU looks great out of the box, but even better with your logo on it

- High-grade urethane
- 2% weight tolerance
- Logo available for client branding



ITEM	WEIGHT
GO-002VU	2.5 lbs
GO-005VU	5 lbs
GO-010VU	10 lbs
GO-025VU	25 lbs
GO-035VU	35 lbs
GO-045VU	45 lbs

28 | GO - Troy Machined Grip Plate

29 | GO-VU - VTX Dual Grip Urethane Plate

30 | GO-VR - VTX Rubber Grip Plate

31 | GO-V - VTX Grip Plate

30 | GO-VR - VTX RUBBER GRIP PLATE

Affordable quality! Our VTX high grade, wide flanged, “quiet iron” rubber encased Olympic grip plates feature 3 slotted gripping areas (45lb, 35lb, 25lb and 10lb only) that actually raise them off of the ground, providing easier lifting and loading from a prone or angled position. The durable rubber coating protects the plates, floors and other equipment from damage.

- Tri-grip
- High-grade rubber encased
- 3% weight tolerance
- Grip slots on (10lbs - 45lbs)
- Steel inserts
- Raised reinforcements

ITEM	WEIGHT
GO-002VR	2.5 lbs
GO-005VR	5 lbs
GO-010VR	10 lbs
GO-025VR	25 lbs
GO-035VR	35 lbs
GO-045VR	45 lbs
O-100R	100 lbs



31 | GO-V - VTX GRIP PLATE

Affordable quality, our VTX high-grade, wide-flanged, Olympic Grip Plates feature 3 slotted gripping areas (45 lb., 35 lb., 25 lb. and 10 lb. only) that actually raise the plates off of the ground, providing easier lifting and loading from a prone or angled position. Raised reinforcements on both sides of each grip slot help make it a true institutional plate and the choice of trainers, world wide. Center bores are precision drilled for a snugger fit on most 2” Olympic bars. Rust resistant, twice baked gray enamel finish.

- ASTM grade 20 cast iron
- 3% weight tolerance
- Grip slots on (10lbs - 45lbs)
- Raised reinforcements
- Quality baked enamel finish

ITEM	WEIGHT
GO-002V	2.5 lbs
GO-005V	5 lbs
GO-010V	10 lbs
GO-025V	25 lbs
GO-035V	35 lbs
GO-045V	45 lbs



BARS

32 | AOB-2000T - TROY POWER BAR

Make: USA
Yield: 202,800 P.S.I.
Shaft/Sleeve Finish: Bright Zinc
Sleeve Attached: Snap Rings
Bushings: Self-Lubricating Bronze
Center Knurling/ Type: Yes/Aggressive
Shaft Diameter: 28.5mm
Weight: 45lbs (20.4 kilos)



33 | TOZ-47 - TROY OLYMPIC CURL BAR

Make: International
Weight Capacity: 150lbs
Shaft/Sleeve Finish: Chrome or Black Painted
Sleeve Attached: Double Roll Pins
Bushings: Steel
Center Knurling/ Type: No/ Medium
Shaft Diameter: 27mm
Weight: 18lbs



34 | TOZ-60B - DELUXE 5' TROY CURL BAR

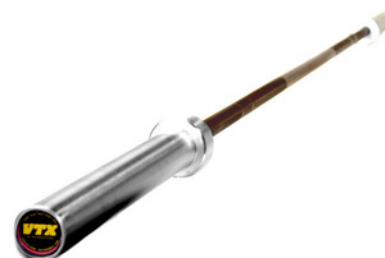
Make: International
Weight Capacity: 250lbs
Shaft/Sleeve Finish: Black Oxide
Sleeve Attached: Bolted
Bushings: Bronze
Center Knurling/ Type: Yes/ Medium
Shaft Diameter: 30mm
Weight: 26lbs



35 | GOB-1800/GOB-800 - VTX TRAINING BAR

MENS- GOB-1800
Make: International
Yield: 270,000 P.S.I.
Shaft/Sleeve Finish: Oxide (Patina)
Sleeve Attached: Dual Snap Rings
Bushings: Bronze
Center Knurling/ Type: No/ Light
Shaft Diameter: 28.5mm
Weight: 44lbs (20 kilos)
Length: 7ft

WOMENS- GOB-800
Make: International
Yield: 164,600 P.S.I.
Shaft/Sleeve Finish: Oxide (Patina)
Sleeve Attached: Dual Snap Rings
Bushings: Bronze
Center Knurling/ Type: No/ Light
Shaft Diameter: 25mm
Weight: 33lbs (15 kilos)
Length: 6.5ft



36| GOB-1200 - 7FT INTERNATIONAL POWER BAR

Make: International
Yeild: 140,000 P.S.I.
Shaft/Sleeve Finish: Hard Chrome
Sleeve Attached: Dual Snap Rings
Bushings: Bronze
Center Knurling/ Type: No/ Light
Shaft Diameter: 32mm
Weight: 44lbs (20 kilos)



37| AOB-1200B - 7FT LIGHT COMMERCIAL GRADE OLYMPIC BAR

Make: International
Yeild: 125,000 P.S.I.
Shaft/Sleeve Finish: Black Oxide/ Polished
Sleeve Attached: Dual Snap Rings
Bushings: Steel
Center Knurling/ Type: No/ Light
Shaft Diameter: 28mm
Weight: 42lbs



38| AOT-56 - HEX BAR

Make: International
Shaft/Sleeve Finish: Hard Chrome
Sleeve Attached: Fixed Solid Steel
Weight Capacity: 600lbs
Handles: Lightly Knurled
Shaft Diameter: 25.4mm
Weight: 50lbs



39| SBCEB-47 - SUPRABAR CURL BAR

Make: International
Sleeve Attached: Solid Bar Design
Knurl: Light
Weight: 25.2lbs
Length: 47in



RACKS & BENCHES



40 G-PR - APOLLO POWER RACK

The Troy Fitness Apollo Power Rack is our base power rack system designed with safety and modularity in mind for athletic and commercial facilities. Each column features uniform holes on every side to allow for multiple configurations and attachment setups. The adjustable height safety bars provide versatility in use, whether that is squats, presses, or bodyweight exercises. Featuring 3x3" 11-gauge steel with oversize 1" diameter hardware, this rack is built to stand alone or bolted onto flooring.

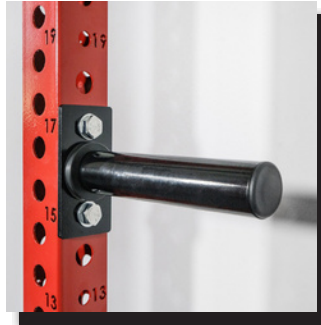
FEATURES



J-HOOKS



SAFETY ARMS



WEIGHT HORNS



LOGO ARCH



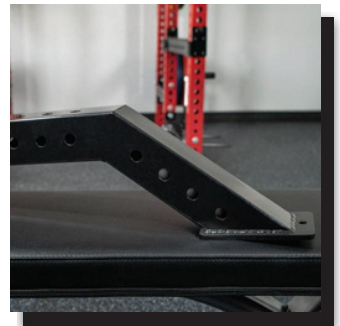
SINGLE BAR HOLDER



BAND PEGS



HANGING BAR HOLDER



FOOT EXTENDER



MULTIGRIP PULL BAR



SPOTTER ARMS



STRAP SAFETIES



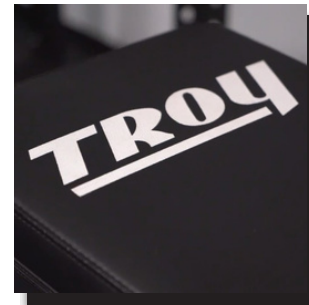
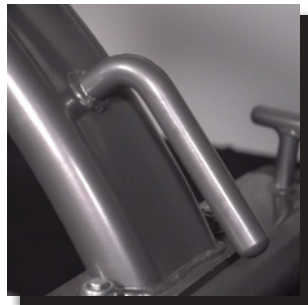
41 | G-HR - APOLLO HALF RACK

The Troy Apollo Half Rack is a versatile performance strength training area that packs a lot into a small space. The rack features 3"x 3" uprights with 11-gauge steel and a base foot print of 49W X 51D. Comes equip to take on any workout you can throw at it with plenty of storage space. Combined with other racks and accessories to fit a workout area for any athlete.



42 G-FB - FLAT BENCH

The Troy Fitness Commercial Flat Bench features premium styling combined with comfort for enjoyable daily use. With its comfortable pad, rubber feet and end caps to protect floors, this bench extends the comfort to your facility space. The built-in wheels allow you to quickly maneuver the bench to speed along workouts. Use the band hooks along the feet to add an extra challenge to your workouts.



KETTLEBELL & STORAGE

43



43 | *KB-G2 - VTX CAST IRON KETTLEBELL*

Intended to increase strength, agility, endurance and balance, our new black cast iron kettlebells will give you a total body workout. With new dual markings for both lb and KG the new VTX Matte Black kettlebell will be a favorite for everyone.



44 | **KBR-14 - KETTLEBELL RACK**

Our 2 tier kettle bell rack is a stylish and sensible way to display and store your bells. Supported by a 12 gauge frame, each heavy duty shelf has a 400lb weight capacity, making this rack capable of handling 14 individual sizes or 7 pair (20lbs thru 50lbs) of kettle bells.



45 | **VKB - VINYL KETTLEBELLS**

Intended to increase strength, agility, endurance and balance, our colorful vinyl kettlebells will give you a total body workout.



43 | **KB-G2** - Cast Iron Kettlebell

44 | **KBR-14** - Kettlebell Rack

45 | **VKB** - Vinyl Kettlebell



45
PS

TROY
60

TROY

60

TROY
65

65

by TROY Barbell
www.troybarbell.com

VTX
www.troybarbell.com

46

47

46 | GKBR-3 - Vertical Kettlebell & Accessory Rack
47 | GKB-Club Kettlebell

46 | GKBR-3 - VERTICAL KETTLEBELL & ACCESSORY RACK

Our VTX GKBR-3 is a stylish, space saving, small footprint rack that conveniently stores multiple Kettlebells, bands, jump ropes and other accessory pieces. With its 4 shelves, 4 hooks and corner design, the VTX GKBR-3 is the perfect solution for facilities or homes with limited space.



47 | CKB - CLUB KETTLEBELLS

Rubber coated bell, smooth steel handles, colorful and easy to read poundage markers make the new CKB from VTX the best kettlebell for any gym, box, PT studio or any facility that wants a combination of exceptional quality and stylish design.



ACCESSORIES



48 | GVFB - FLAT BANDS

The VTX Flat Bands Kit consists of 3 flat bands and training manual. Durable, latex-free bands for versatile and effective resistance training to tone and shape your entire body. Perfect for rehab; ideal for pre-game or pre-activity warm up, and stretching.



49 | G-VYB - YOGA BLOCK

The VTX Yoga Block is a sturdy yet lightweight block made of smooth-grip foam and is ready to handle the most rigorous workouts. Extend your reach and get the most from your yoga workout with the VTX Yoga Block.



48 GVFB	-Flat Bands
49 G-VYB	-Yoga Block
50 VD	-Vinyl Dumbbells
51 G-VYM-BLK	-Yoga Mat
52 GVFBL	-Loop Bands
53 GVFB-ML	-Mini Loop Bands

50|VD - VINYL DUMBBELL

Intended to increase strength, agility, endurance and balance, our colorful vinyl kettlebells will give you a total body workout.



51|G-VYM-BLK - YOGA MAT

The VTX Yoga Mat is double cushioned closed cell foam with a non-slip surface providing extra comfort and protection for yoga poses, pilates exercises, HIIT yoga fusion and, stretching routines. The Yoga Mat easily rolls up for storage and wipes clean with a damp towel, making every session doubly effective and efficient.



52|GVFBL - LOOP BANDS

The VTX Mini Loop Bands are travel size to elevate your workout at home or on the go. These mini bands bring impressively strong resistance to improve your muscle stability in multiple muscle groups. Resistance includes 5lbs (yellow), 10lbs (orange), 15lbs (blue), 20lbs (black).



53|GVFB-ML - MINI LOOP BANDS

The VTX Loop Bands are an excellent way to strengthen and tone your lower body. The size of this exercise tool makes it a great "Go Anywhere, Train Anytime" tool. The band resistances are approximately equal to 5lbs (yellow), 10lbs (orange), 20lbs (blue), 25lbs (black).





54 | G-VFR - FOAM ROLLER

The VTX Foam Roller is designed for deep tissue massages withstanding heavy use. This aggressive, deep-tissue massage therapy improves alignment and hip mobility while supporting muscle recovery and regeneration. Alleviate sore muscles and fatigue as often as you need.



55 | GVSBL - STRENGTH BANDS

The VTX Strength Band's continuous latexloop offers variable weight resistance with each band. Four Strength Band's are available, light, medium, heavy, and extra heavy, each with a gradually greater weight range. You get virtually hundreds of resistance-exercise options. 20lbs-35lbs, 30lbs-50lbs, 40lbs-80lbs, and 60lbs-120lbs of resistance.



56 | ROPE1-40G - VTX TRAINING ROPE

VTX Training Ropes provide an intense, full body workout. Each rope is constructed of fray resistant, polyethylene and sports durable rubber hand grips on each end to guard against rope burn. There are 2 different thicknesses (1.5" & 2") and lengths (40' & 50') to choose from. Utilize the VTX training rope in your workout regimen as a fun and innovative way to burn fat, develop endurance and build lean muscle.



54 | G-VFR- Foam Roller

55 | GVSBL- Strength Bands

56 | ROPE1-40G - VTX Training Rope

56

WARRANTIES

USA SPORTS WARRANTY

All USA Sports, Inc products come with a 90-day warranty against breakage through proper use to the original owner and do not cover normal wear and tear. This warranty does not cover products placed in a commercial setting. USA Sports, Inc guarantees all products on shipment date to be free of material defects or workmanship faults. EXCEPT FOR THE EXPRESSED WARRANTIES PROVIDED HEREIN, ANY AND ALL OTHER WARRANTIES, INCLUDING THE IMPLIED WARRANTIES OF MERCHANTABILITY AND FITNESS FOR A PARTICULAR PURPOSE ARE HEREBY DISCLAIMED.

VTX® WARRANTY

VTX products come with a full 1-year warranty against manufacturer defects or breakage through improper use by the end-user in light commercial setting. This 1-year warranty does cover in a light commercial setting. Rubber products may carry a slight odor. This odor should be considered normal and will not be covered under warranty.

TROY® WARRANTY

TROY guarantees all products from the date of shipment to be free of materials defects. The warranty extends to the original consignee or end-user only. The warranty only covers failures due to material defects or workmanship that occurs during regular use. It does not cover product failures due to misuse, negligence, misapplication, modification, or normal wear and tear. The warranty detail is as follows.

PRODUCT

WARRANTY DETAILS

American Bars	Limited 5 year warranty against manufacturer defects or breakage. This warranty does not cover rust, bending due to misuse, or any defect caused from use outside the functional capacity of the bar in question.
Cast-Iron Plates	Limited 10-year warranty against breakage and 1 year warranty against manufacture defects. This warranty does not cover paint chipping or rusting.
Rubber Encased Plates	Limited 10-year warranty against breakage and 1-year warranty against manufacture defects. This warranty does not cover rubber loss due to chipping, fading, or cracking.
Urethane Encased Plates	Limited 10-year warranty against breakage and 5-year warranty against manufacturer defects.
Cast & Rubber Pro-Style Dumbbells and Barbells	Limited 10-year warranty against breakage and 1-year warranty against manufacture defects. This warranty does not cover bent handles, paint chipping, rusting or improper use including dropping or slamming the product.
Urethane and Rubber Encased Solid Dumbbells	Limited 5-year warranty against breakage and manufacture defects. This warranty does not cover the loss of rubber due to chipping, fading, cracking or improper use including dropping or slamming the product.
Commercial Series Racks	Limited Lifetime warranty against breakage and 1-year warranty against manufacture defects.
All Other Troy products	All other Troy products will carry a 1-year warranty against breakage and manufacture defects.



***SHAPING
THE
WORLD
OF
FITNESS***

INDEX PAGE

A		
	AOB-1200B - 7ft light Commercial Grade Olympic	Page 23
	AOB-1500C/AOB-1200C - Cerakote Bar	Page 18
	AOB-1500T - Blackwing Bar	Page 13
	AOB-2000T - Troy Power Bar	Page 22
	AOT-56 - Hex Bar	Page 22
B		
	BB-10 - Horizontal Barbell Rack	Page 12
	BB-5 - Barbell Half Rack	Page 10
	BCO-SBP - Black Competition Bumper Plate	Page 16
	BO-SBP - Solid Rubber Interlocking Bumper Plate	Page 17
	BPO-SBP - Black Premium Rubber Bumper Plate	Page 13
C		
	CCO-SBP - Color Competition Bumper Plate	Page 16
	CKB - Club Kettlebells	Page 31
	CO-SBP - Color Competition Bumper Plate - kgs	Page 16
D		
	DR-10 - 10-Pair Dumbbell Rack	Page 5,7
	DR-15 - Troy 15 - Pair Bumbbell Rack	Page 8
G		
	G-AB-L - Troy ladder bench	Page 4
	GBO-SBP - USA Solid Rubber Bumper Plate	Page 17
	G-FB - Flat Bench	Page 27
	G-HR - Apollo Half Rack	Page 26
	GKBR-3 - Vertical Kettlebell & Accessory Rack	Page 30-31
	GO - Troy Machined Grip Plate	Page 20
	GO-CBP - USA crumb rubber bumper plates	Page 15
	GOB-1200 - 7ft International Power Bar	Page 23
	GOB-1800/GOB-800 - VTX Training Bar	Page 22
	GO-R - Interlocking Rubber Grip Plates	Page 19
	GO-U - Interlocking Urethane Grip Plates	Page 19
	GO-V - VTX Grip Plate	Page 21
	GO-VR - VTX Rubber Grip Plate	Page 21
	GO-VU - VTX Dual Grip Urethane Plate	Page 20
	G-PR - Apollo Power Rack	Page 24-25
	GTDR-3 - VTX 3-Tier Dumbbell Shelf Rack	Page 8
	GVFB - Flat Bands	Page 32
	GVFBL - Loop Bands	Page 33
	GVFB-ML - Mini Loop Bands	Page 33
	G-VFR - Foam Roller	Page 34

G		
	GVSBL - Strength Bands	Page 34
	G-VYB - Yoga Block	Page 32
	G-VYM-BLK - Yoga Mat	Page 33
K		
	KB-G2 - VTX Cast Iron Kettlebell	Page 28
	KBR-14 - Kettlebell Rack	Page 29
O		
	O-SBP - Solid Rubber Bumper Plate	Page 17
P		
	PO-SBP - Color Premium Rubber Bumper Plate	Page 14
R		
	ROPE1-40G - VTX Training Rope	Page 35
S		
	SBCB-47 - SupraBar Curl Bar	Page 23
	SD-R - Rubber Hex Dumbbell	Page 9
	SD-U - Urethane Hex Dumbbell	Page 9
T		
	TDR-3 - VTX Horizontal Dumbbell Rack	Page 8
	TOZ-47 - Troy Olympic Curl Bar	Page 22
	TOZ-60B - Deluxe 5' Troy Curl Bar	Page 22
	TSB-U/TSB-R - Straight Barbell	Page 11
	TSD-R - Twelve-Sided Rubber Dumbbell	Page 5,7
	TSD-U - Twelve-Sided Urethane Dumbbell	Page 5, 6
	TZB-U/TZB-R - EZ Curl Barbell	Page 11
V		
	VD - Vinyl Dumbbell	Page 32-33
	VKB - Vinyl Kettlebells	Page 29
X		
	XD-U - VTX Urethane Dumbbell	Page 9

TROY[®]
BARBELL & FITNESS

VTX

USA 